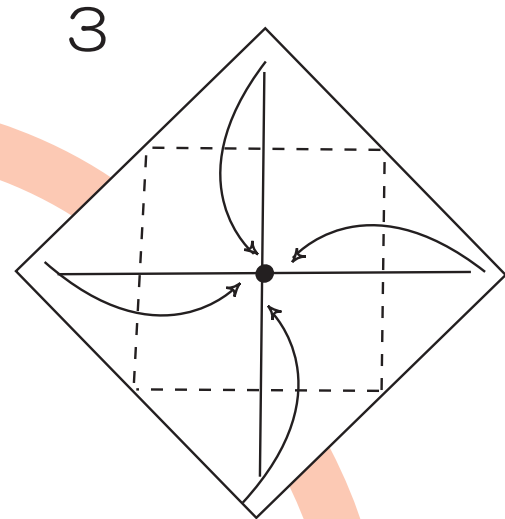
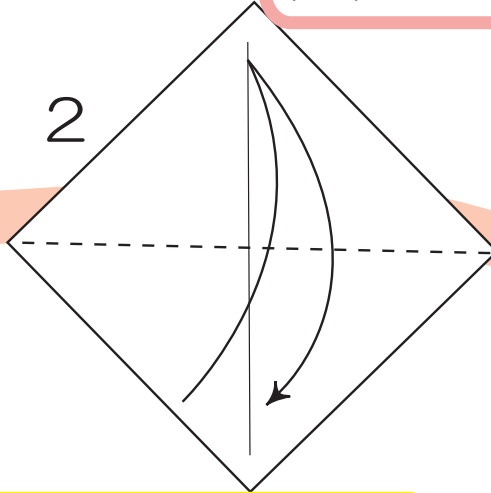
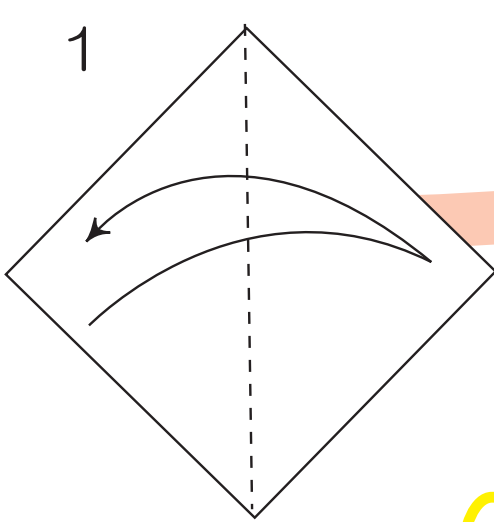


The walls have ears.

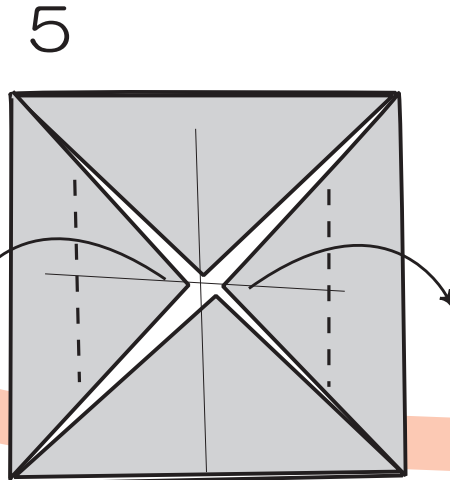
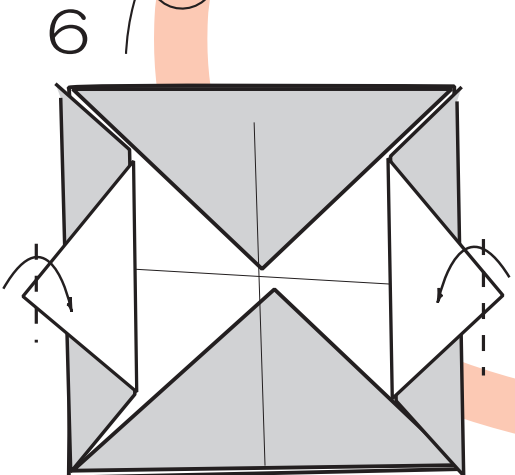
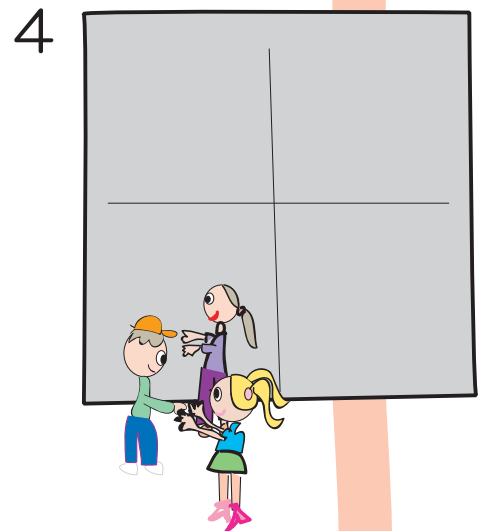
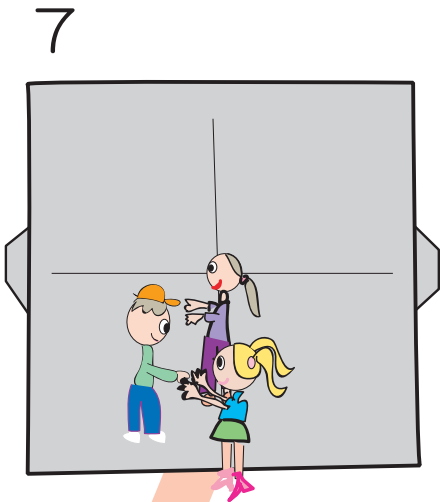
Created by Shoko Aoyagi
Diagram by Shoko Aoyagi

©Shoko Aoyagi March 2006

You need a sheet of origami paper or square paper.



Moral: Say nice things about your friends.
You don't want to hurt them.
The walls have ears! They might hear you.



Oh....no.... they are talking about you behind your back!!
Stop it !