

All I Really Need to Know I Learned in Kindergarten

By Robert Fulghum 1988

Robert Fulghum is an American minister who believes that the world would be a better place if adults followed the same rules children learn in Kindergarten

Share everything.

Play fair.

Don't hit people.

Put things back where you found them.

Clean up your own mess.

Don't take things that aren't yours.

Say you're sorry when you hurt somebody.

Wash your hands before you eat.

Flush.

Warm cookies and cold milk are good for you.

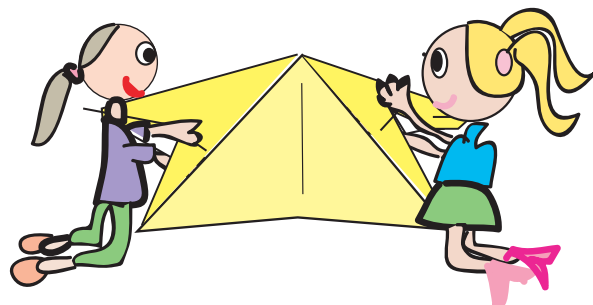
Live a balanced life -

learn some and think some and draw and paint and sing and dance and play and work everyday some.

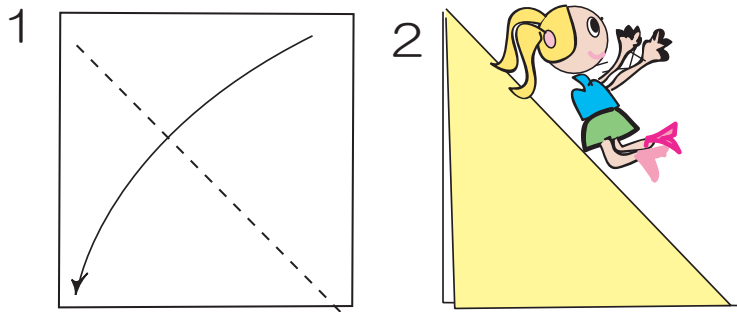
Take a nap every afternoon.

When you go out into the world, watch out for traffic, hold hands, and stick together.

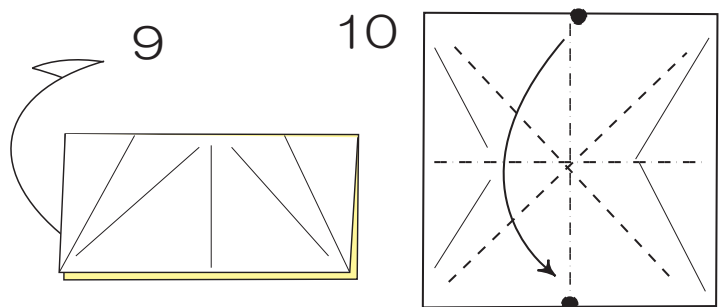
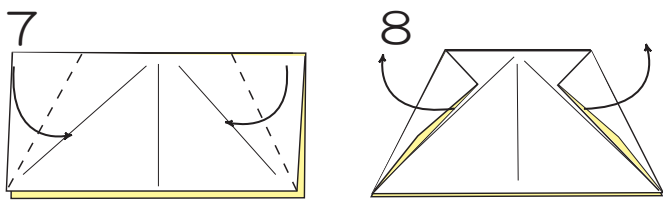
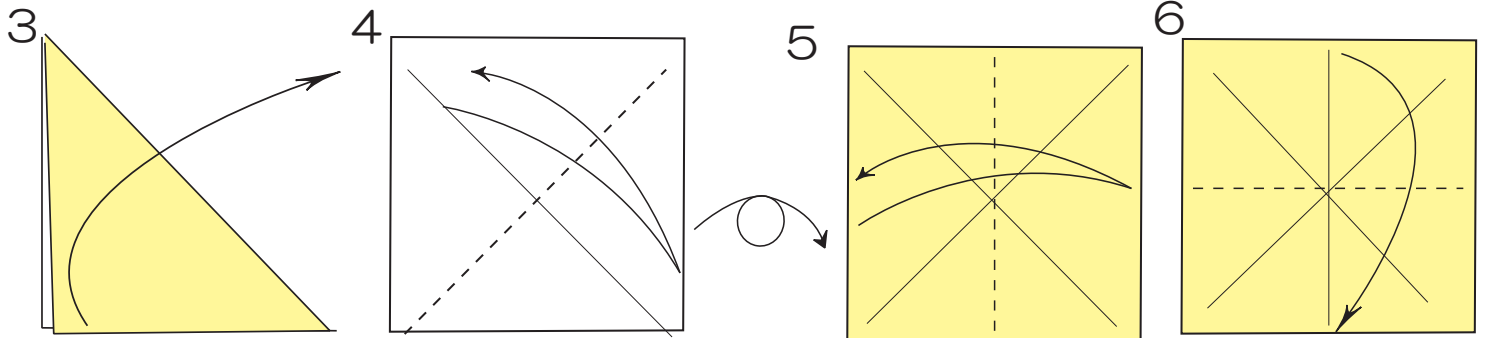
Be aware of wonder.



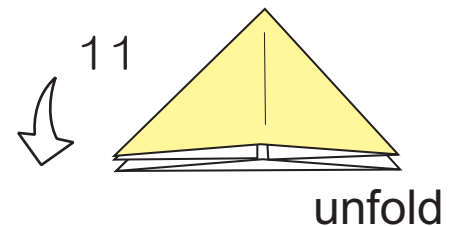
All I Really Need to Know I Learned in Kindergarten



When I was in Kindergarten,
I played on a slide



In the sandpit, I made a huge
mountain.



I made a tunnel in the mountain with
my friend. We now can touch our
hands in the tunnel.

