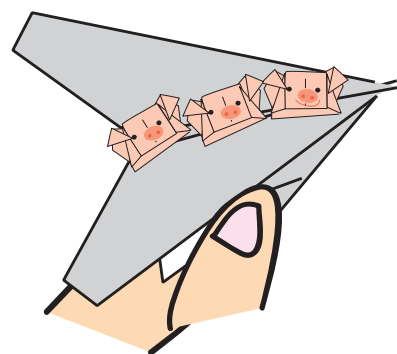


Traditional airplane Story written by Shoko

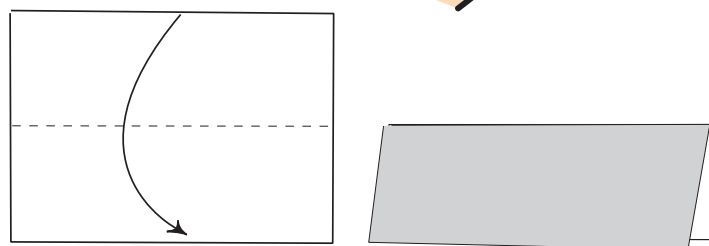
©Shoko Aoyagi 2003

Let's make a paper airplane together.

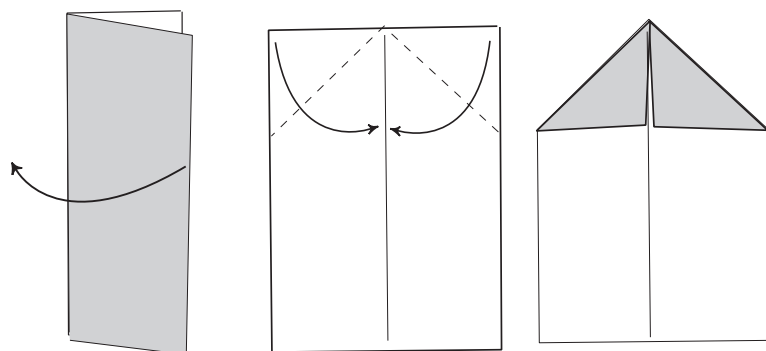
We will use the story of the 3 little pigs.
I am sure you all know this story.



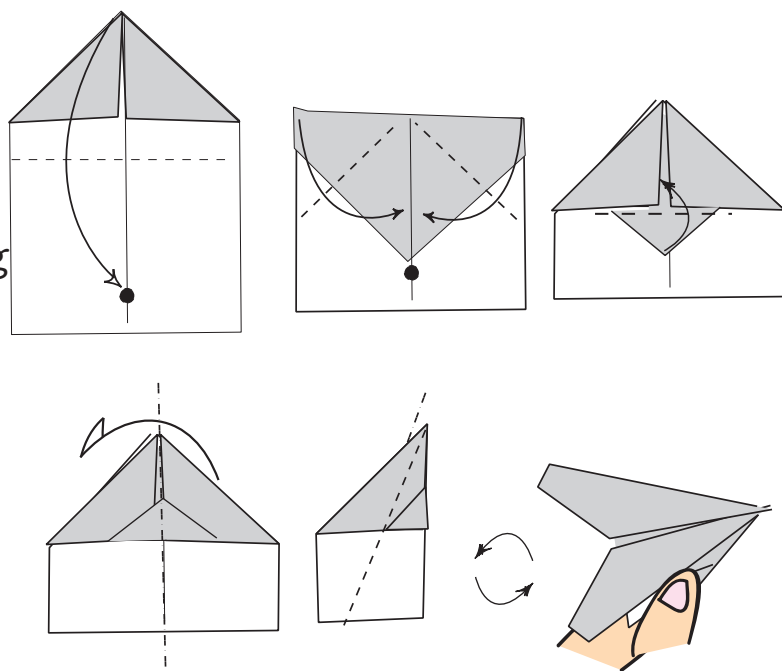
The 1st little Pig built this simple house like a tent.
Along came the big bad wolf and blew it down - crash- with one breath!



The 2nd little Pig built his house with a roof but it was not so strong . Again the big bad wolf came along and blew the house down - ker- boom!!



The 2 little pigs ran quickly to the next pig's house. He was a clever little pig and locked the roof to the walls. The big bad wolf came along - he huffed and he puffed but he could not blow this house down. Instead of collapsing the house changed into a paper airplane. Off it flew with the 3 little pigs safe inside.



Moral: The person who puts hard work into something will be much better off than the lazy person who does the minimum amount of work.