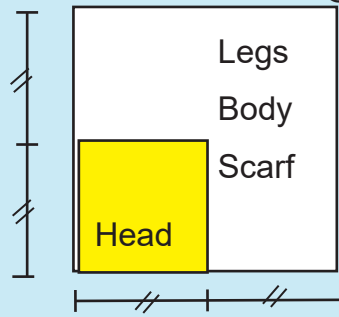
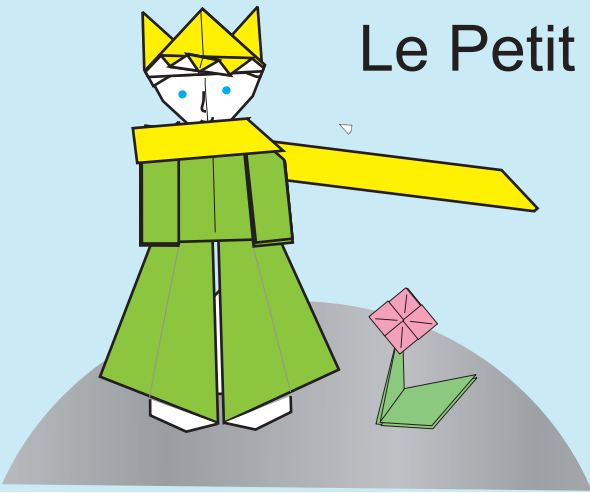


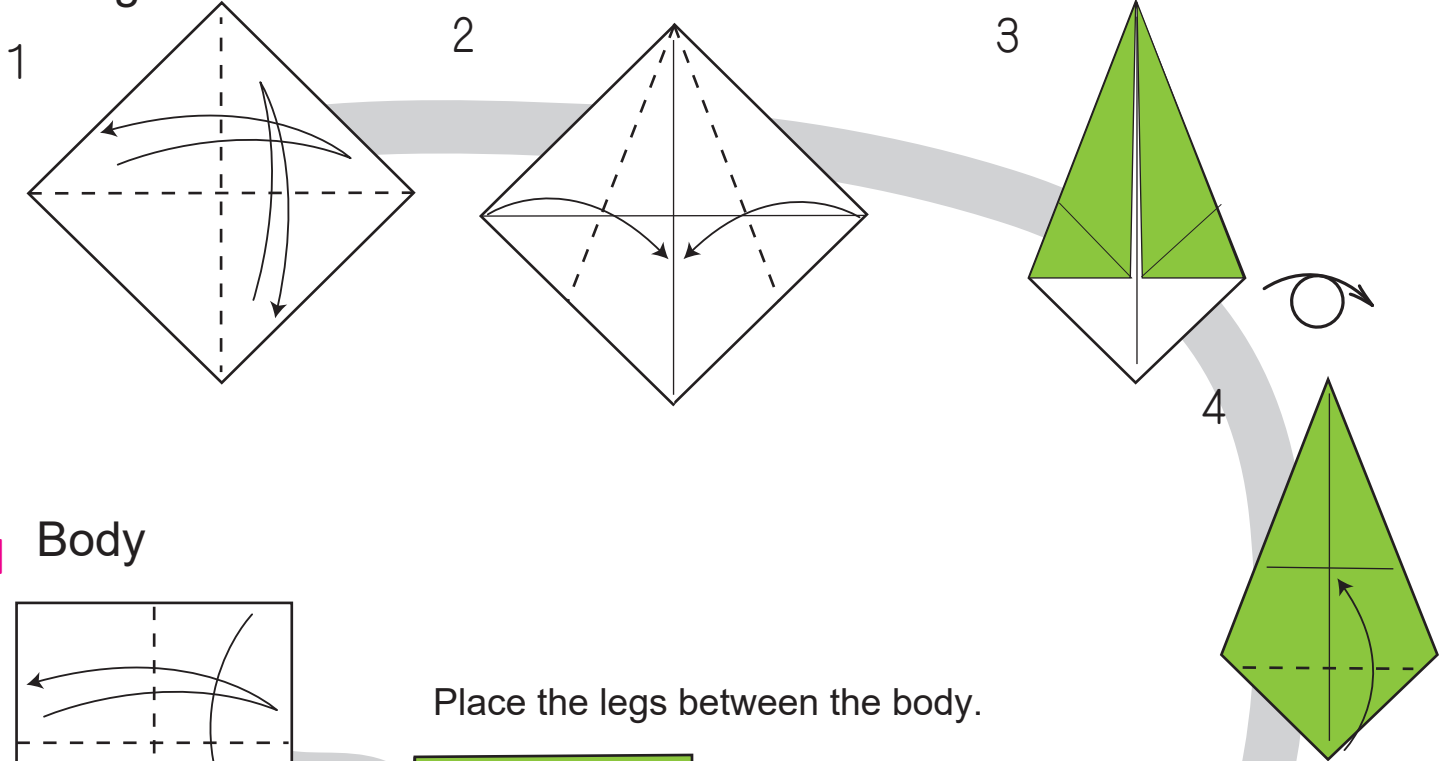
Le Petit Prince

Created by Shoko Aoyagi
Diagrams by Shoko Aoyagi
©Shoko Aoyagi June 2007

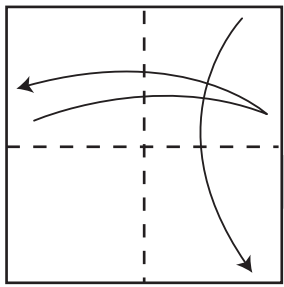


1/4

Legs

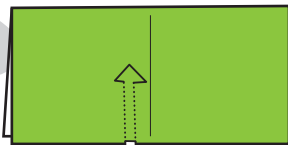


Body

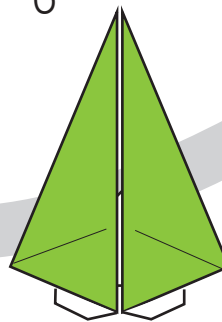


2

Place the legs between the body.

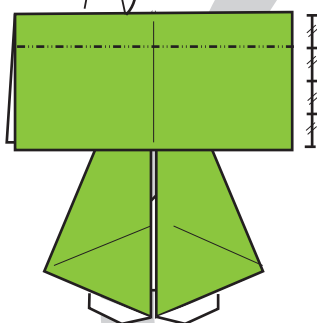


6



Completed

3



Le Petit Prince

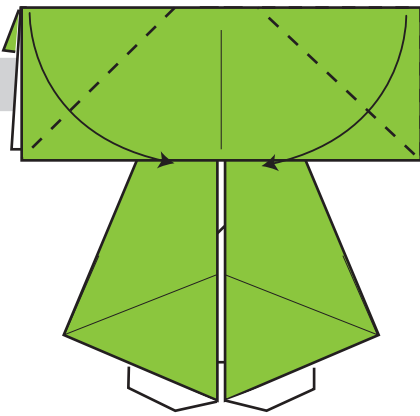
Created by Shoko Aoyagi

Diagrams by Shoko Aoyagi

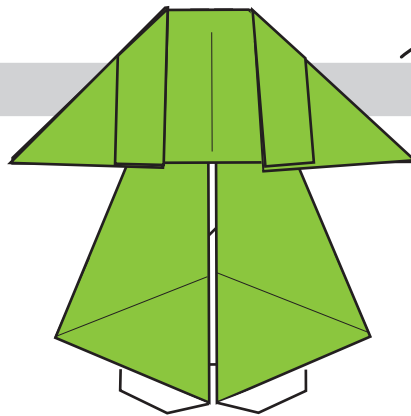
©Shoko Aoyagi June 2007

2/4

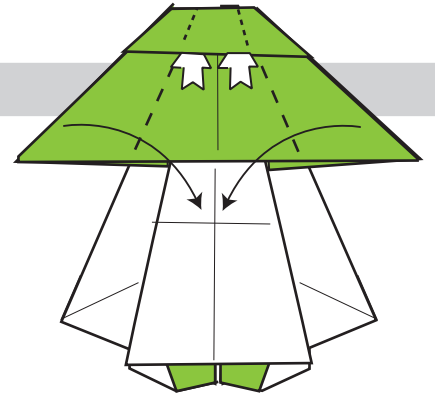
4



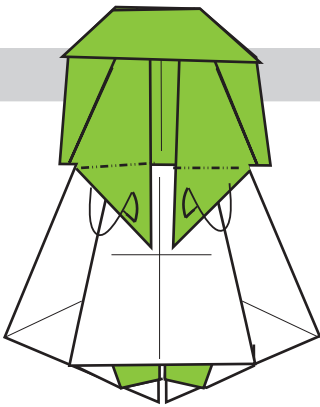
5



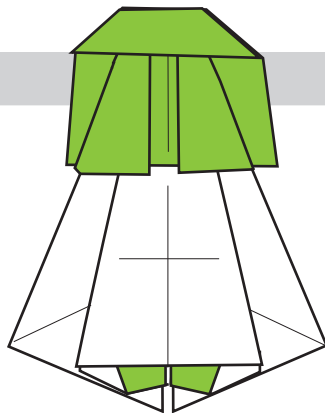
6



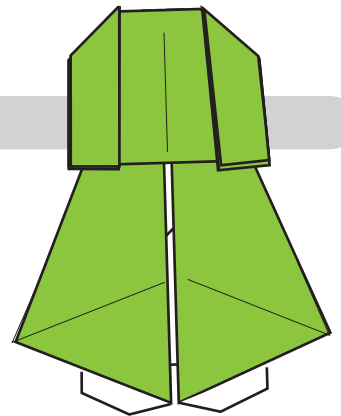
7



8



9



Here is the completed body.

Le Petit Prince

Created by Shoko Aoyagi

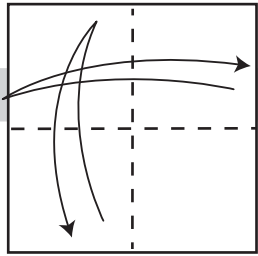
Diagrams by Shoko Aoyagi

©Shoko Aoyagi June 2007

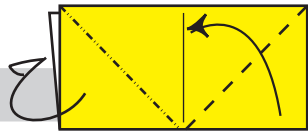
3/4

Head

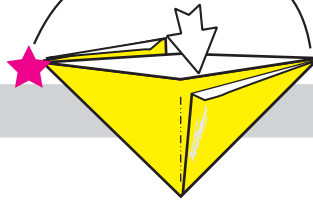
1



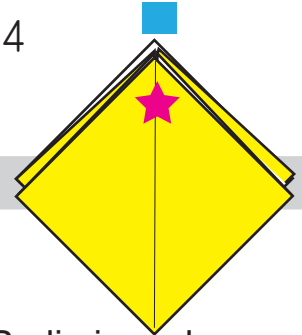
2



3

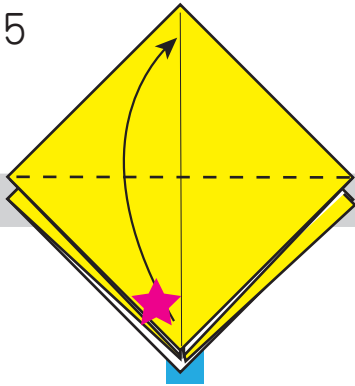


4

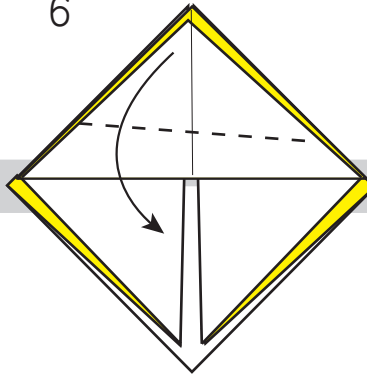


Preliminary base

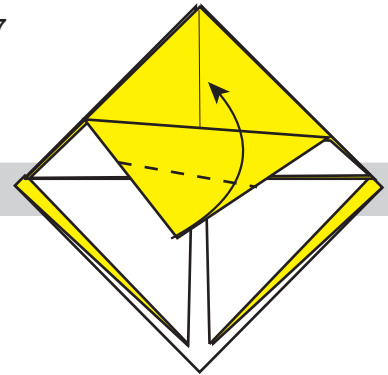
5



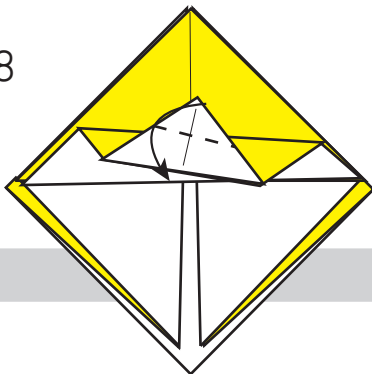
6



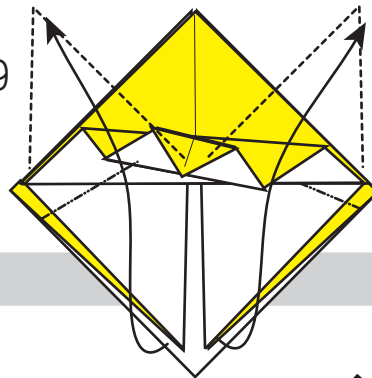
7



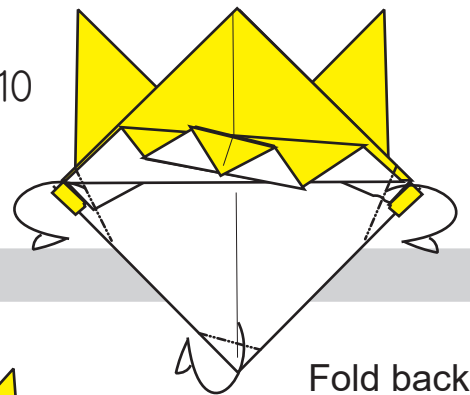
8



9

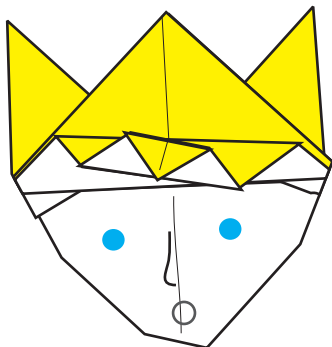


10

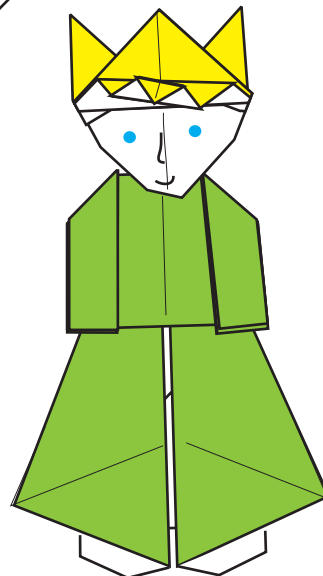


Fold back.

11



Draw a face.



Glue the head on the body.

Hello, Little Prince.

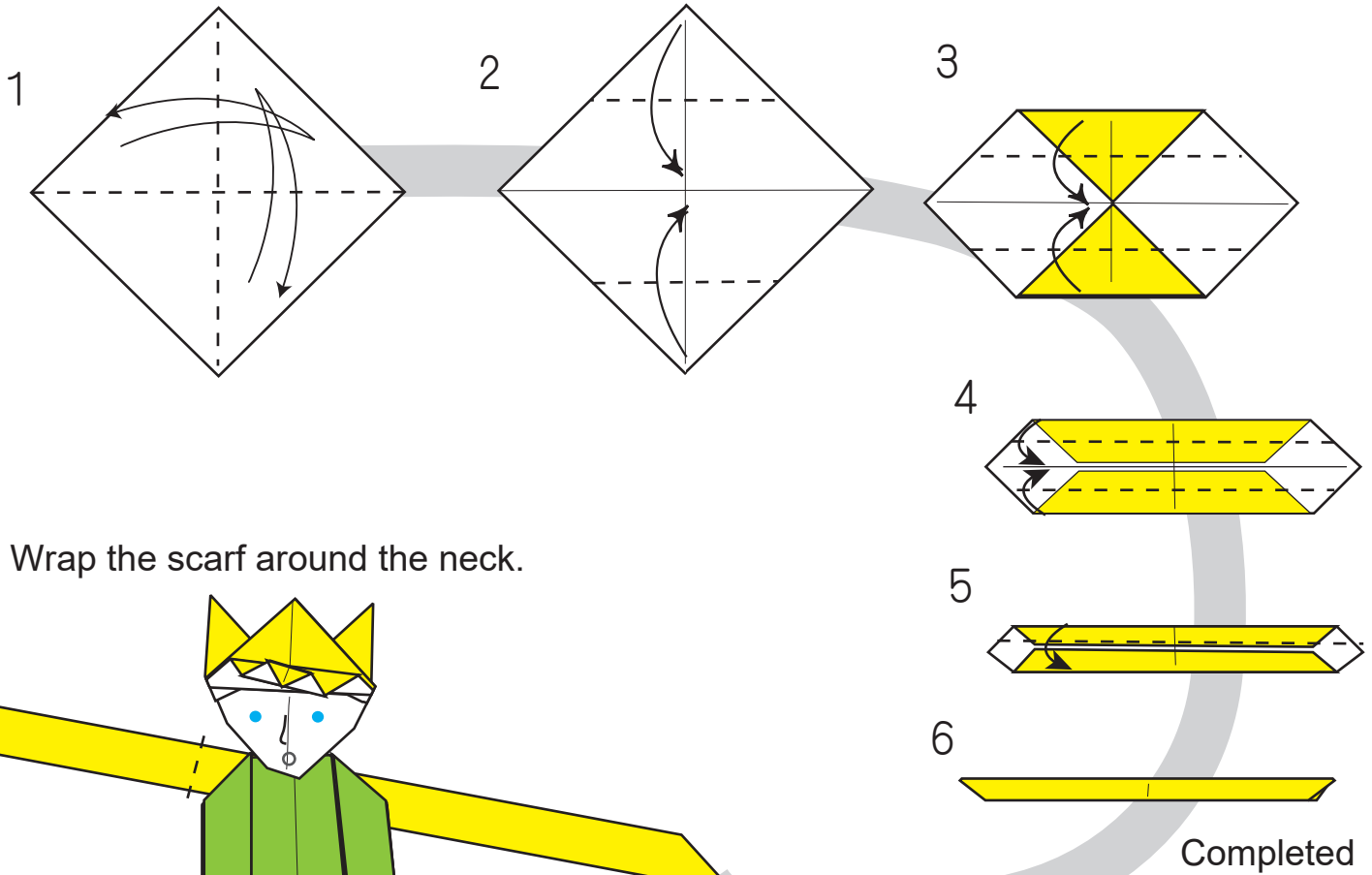
Le Petit Prince

Created by Shoko Aoyagi

Diagrams by Shoko Aoyagi

©Shoko Aoyagi June 2007 4/4

How to fold the scarf.



Wrap the scarf around the neck.

