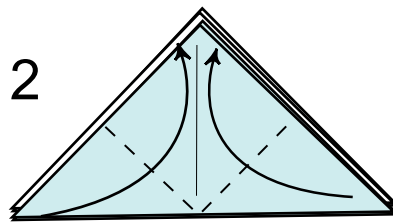
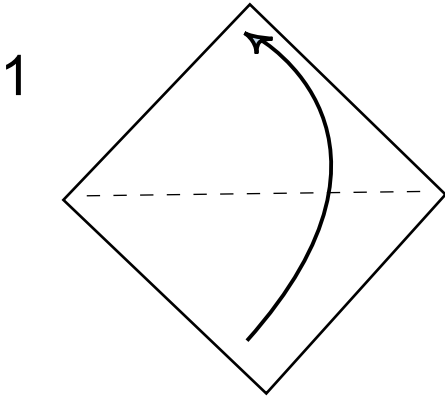


Grand Piano Greeting Card

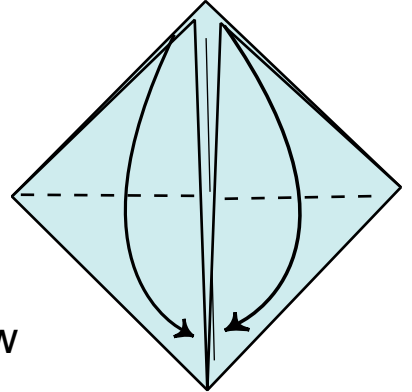
Created by Shoko Aoyagi
Diagrams by Shoko Aoyagi

© Shoko Aoyagi October 2004

You need 1 sheet of origami paper.

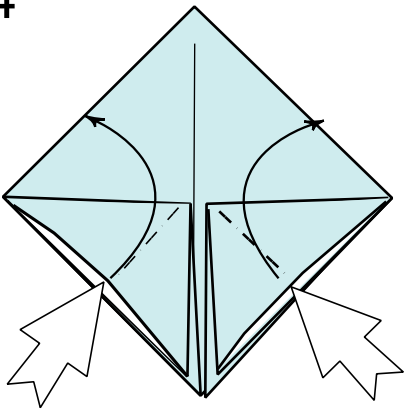


3

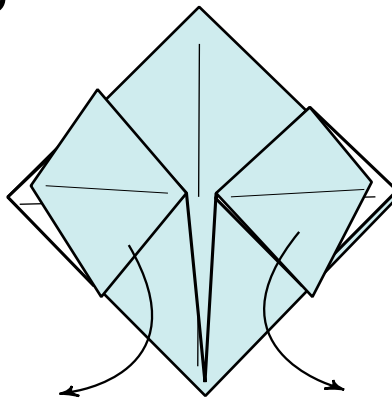


enlarged view

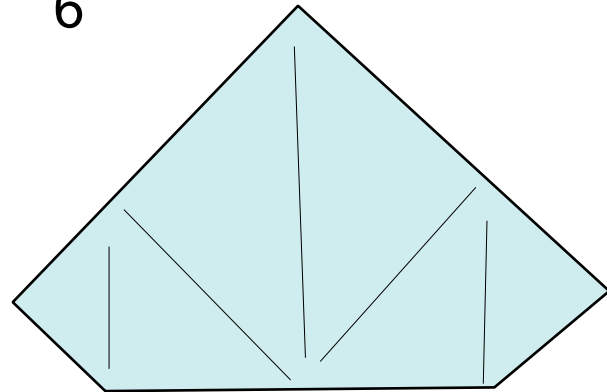
4



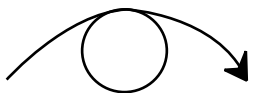
5



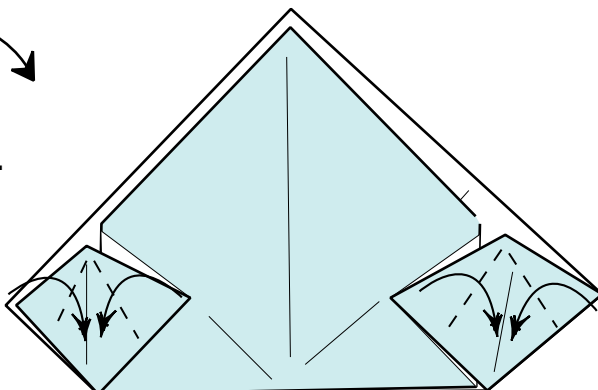
6



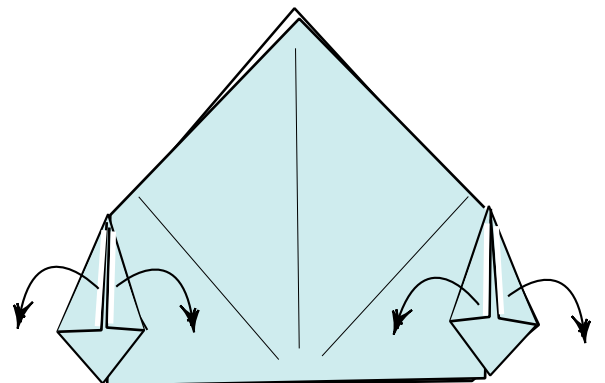
7



Turn it over.



8



Unfold

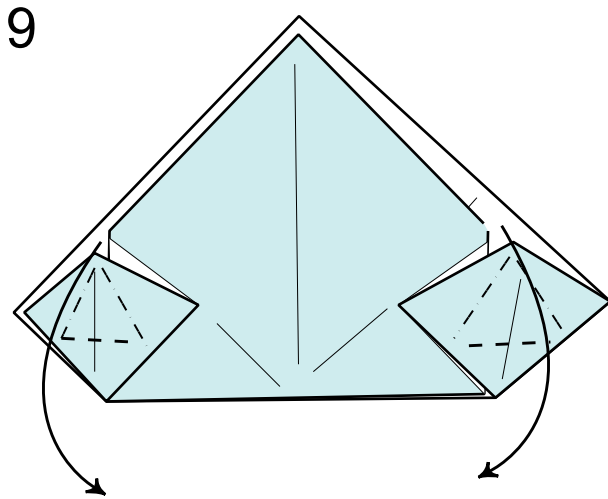
Grand Piano Greeting Card

2/3

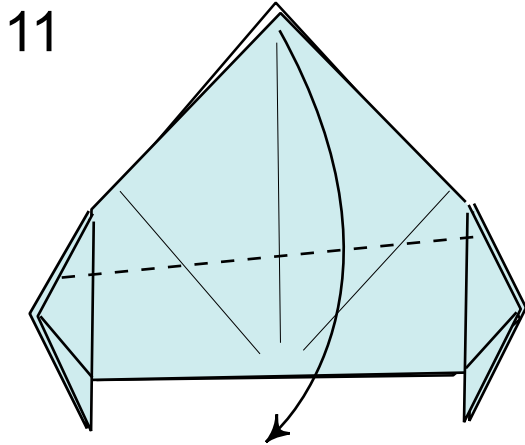
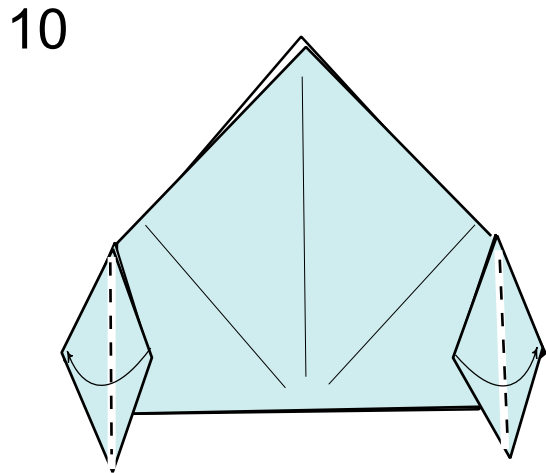


Created by Shoko Aoyagi
Diagrams by Shoko Aoyagi

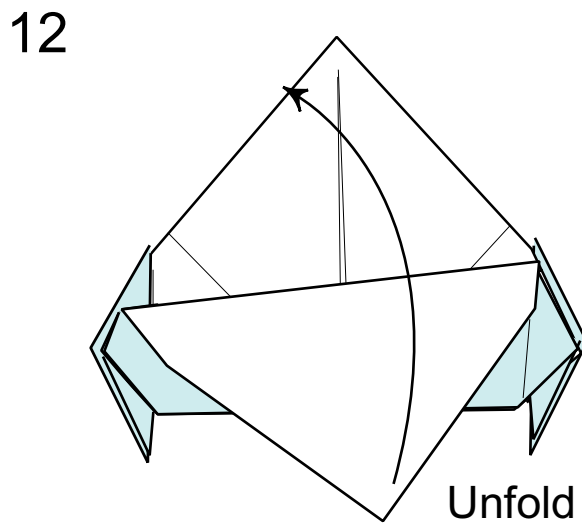
© Shoko Aoyagi October 2004



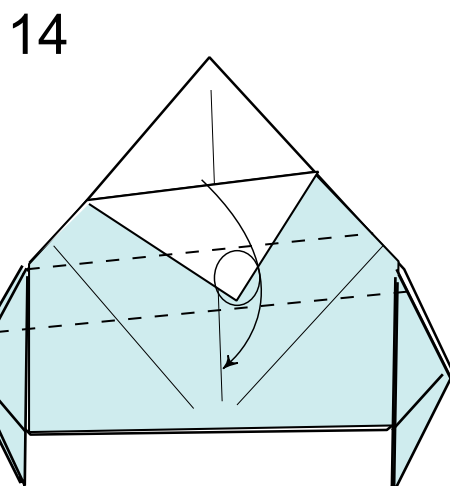
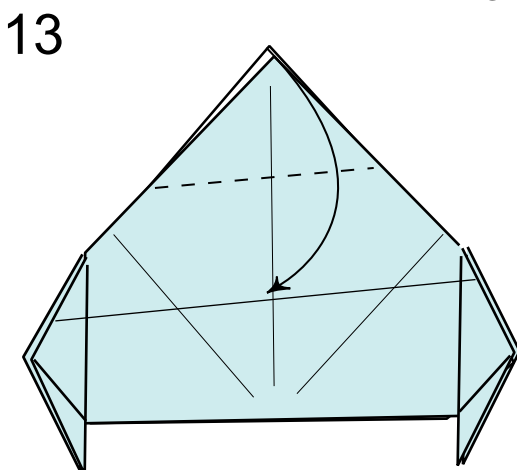
Bird base



The line is sloping.



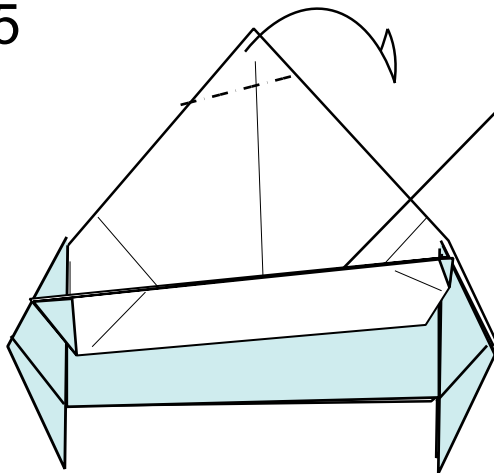
Unfold



Created by Shoko Aoyagi
Diagrams by Shoko Aoyagi

© Shoko Aoyagi October 2004

15



Pocket



Draw the keyboard on it.
Here is the Grand Piano greeting card.
Make a simple music book, which is a message card, and insert it in the pocket as shown.

How to make the music book.

